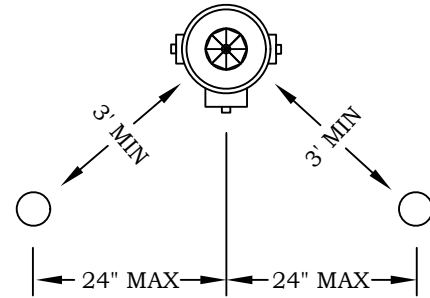
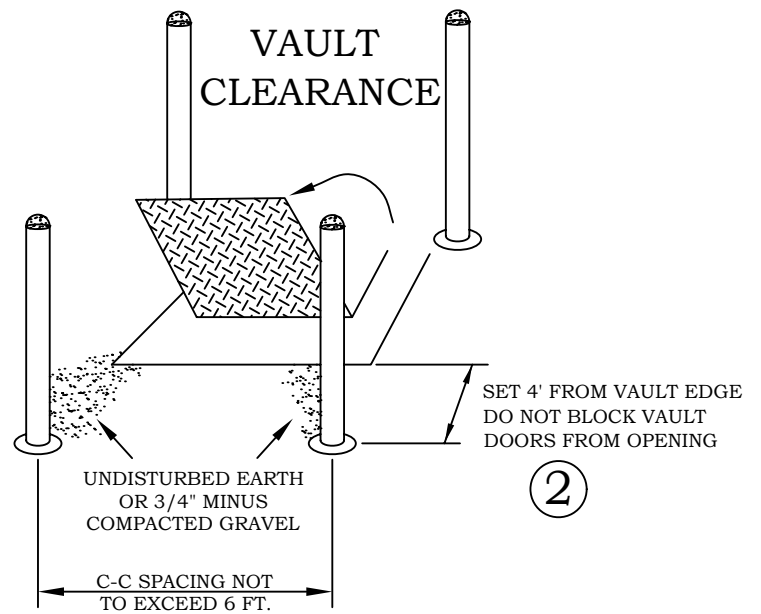


HYDRANT CLEARANCE



VAULT CLEARANCE



NOTES:

1. PLACE 6" SCHEDULE 40 H.D. GALVANIZED STEEL POST FILLED WITH CONCRETE .
2. POSTS SHALL NOT OBSTRUCT THE VAULT DOORS FROM OPENING AND LAYING FLAT.
3. ALL CONCRETE SHALL HAVE A MINIMUM COMPRESSION STRENGTH OF 3000 PSI AFTER 28 DAYS.
4. BARRIER POST INSTALLATION SHALL BE IN UNDISTURBED EARTH. HOWEVER, THE AREA BETWEEN THE VAULT WALL AND BARRIER HOLE MAY BE FILLED WITH 3/4" MINUS COMPACTED GRAVEL IF THREE FEET OF UNDISTURBED AREA IS NOT AVAILABLE AFTER THE VAULT IS SET.
5. POSTS SHALL BE PAINTED BRIGHT YELLOW AND SHALL HAVE TYPE 3 HIGH INTENSITY REFLECTIVE TAPE 3" FROM THE TOP OF THE POST.

NOT TO SCALE



BARRIER POST INSTALLATION

DATE	REVISIONS		
		DATE	07/25/18
		DRAWN	SLW
		APPROVED	WSC
		SPEC NO.	BP