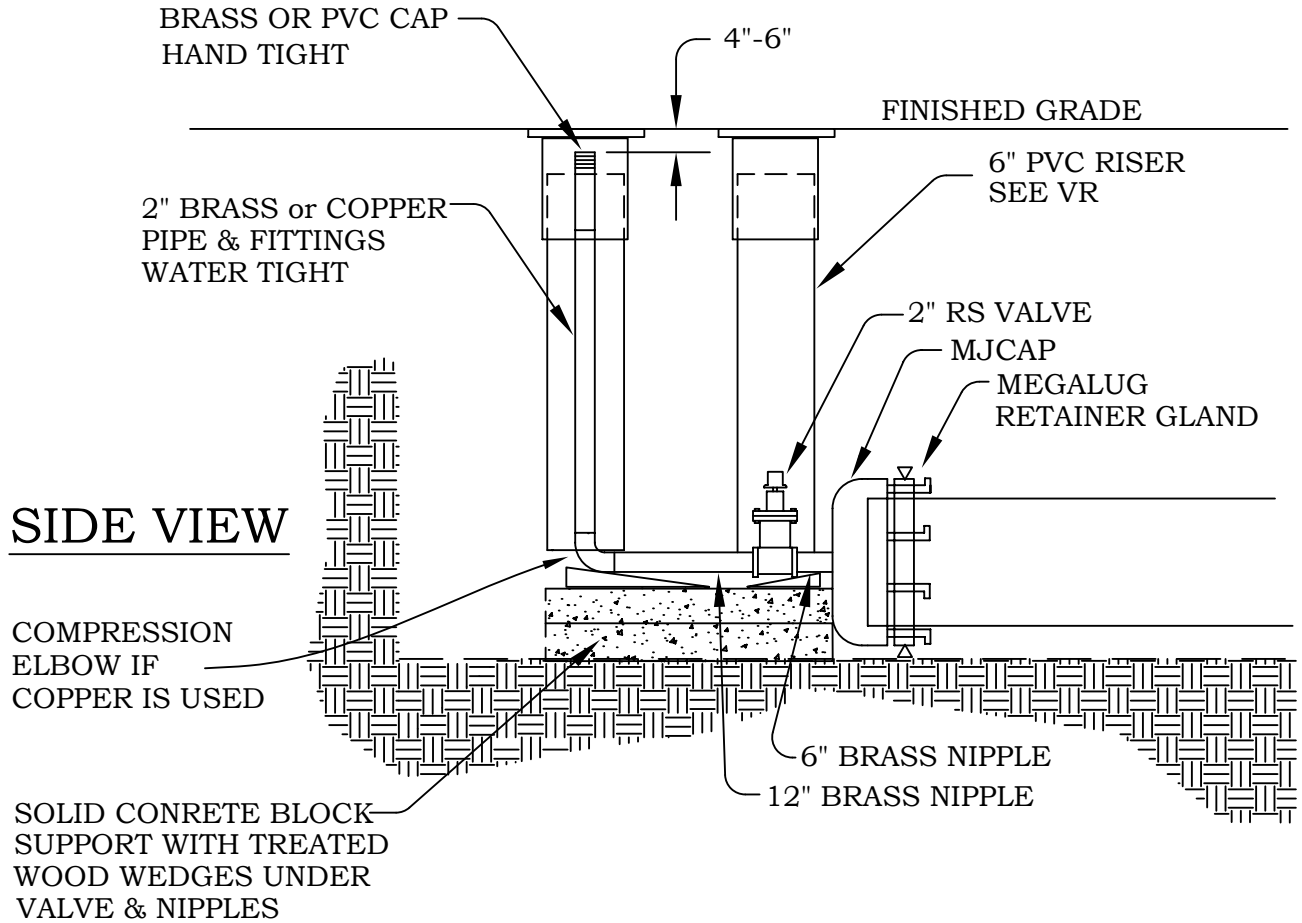


MJ PLUG MAY REPLACE CAP WITH MW&L APPROVAL



NOT TO SCALE



BLOWOFF INSTALLATION FOR 6" TO 12" PIPE

DATE	REVISION

DATE	12/11/14		
DRAWN	SLW	APPROVED	WSC
		SPEC NO.	BO