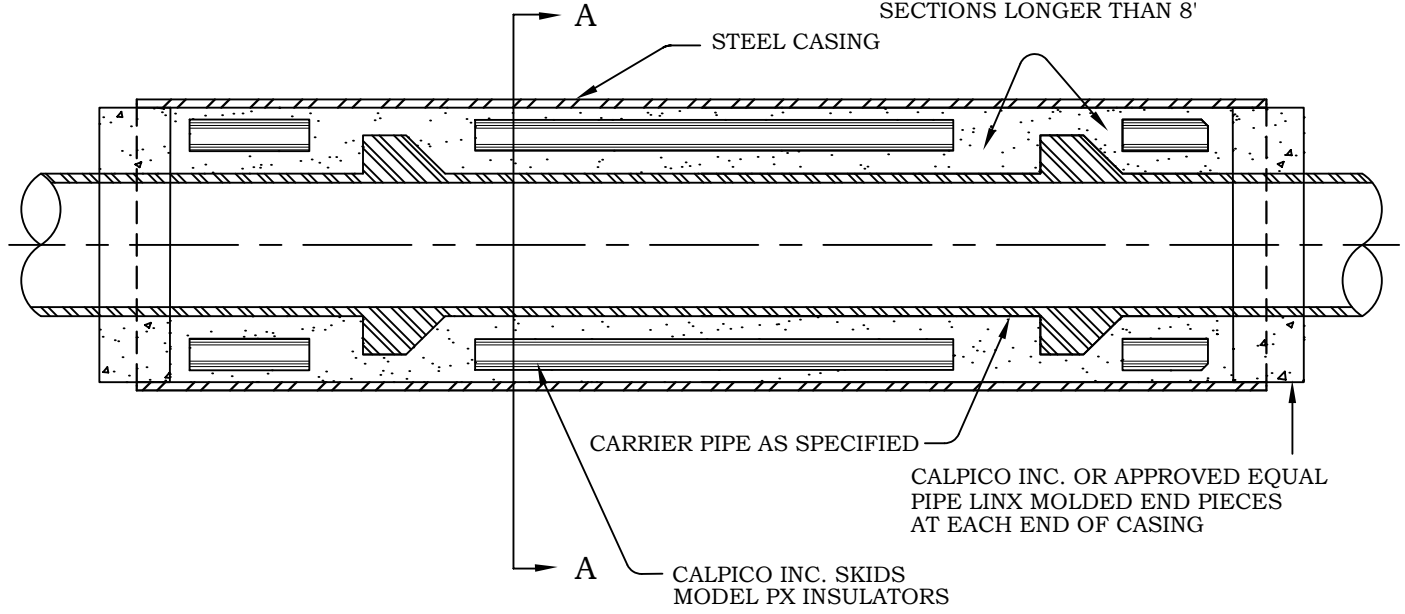
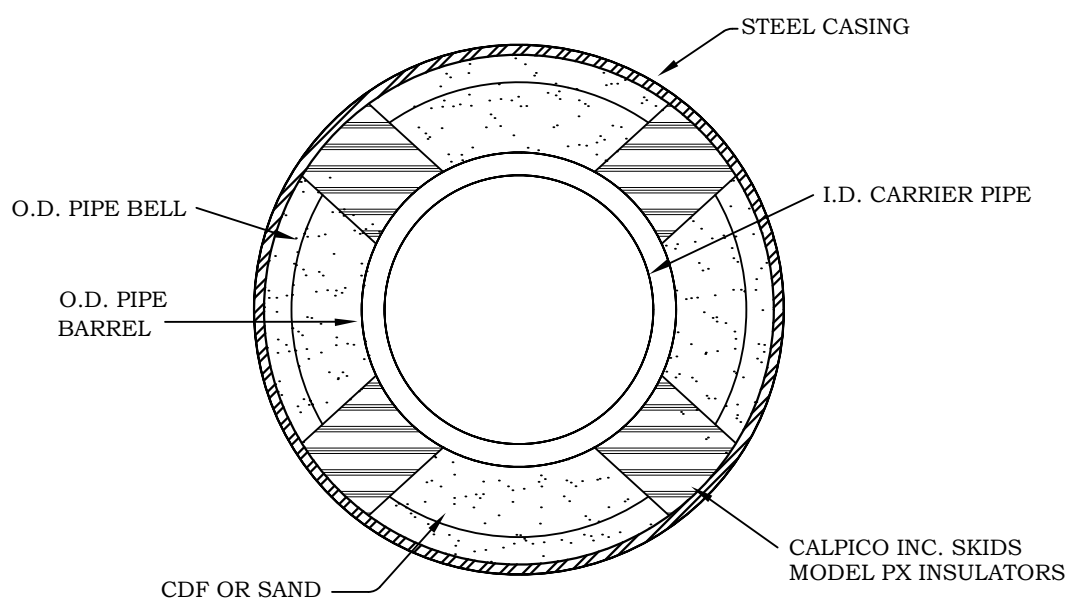


1' TO 2' GAP IN SKIDS AT JOINTS AND EVERY 6' FOR PIPE SECTIONS LONGER THAN 8'



DETAIL A



NOTE: QUANTITY (LOAD) TICKETS FOR VOLUME CALCULATIONS REQUIRED.

NOT TO SCALE



BORE CASING DETAIL

DATE		REVISION		DATE 12/11/14		APPROVED WSC		SPEC NO. BC	
				DRAWN SLW					