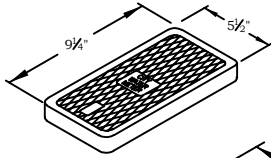


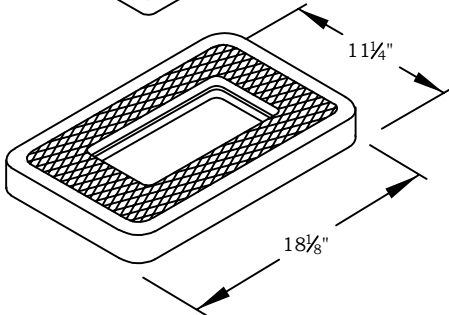
# 1" METER BOX

# 2" METER BOX

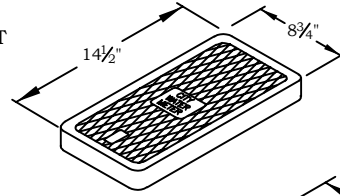
BROOKS 37S  
CAST IRON LID



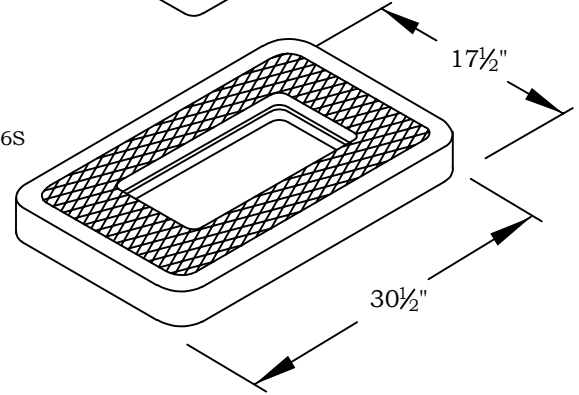
BROOKS 37S  
COVER



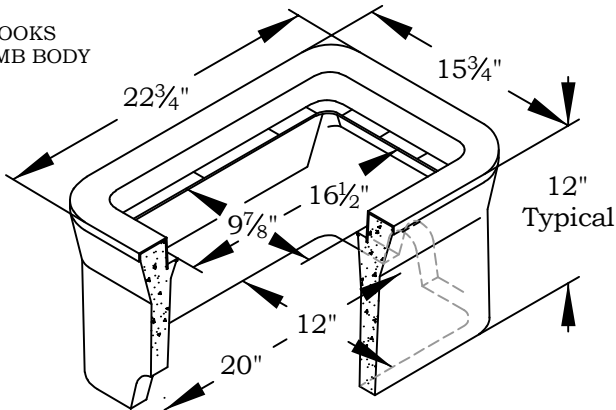
BROOKS 66ST 3-T  
CAST IRON LID



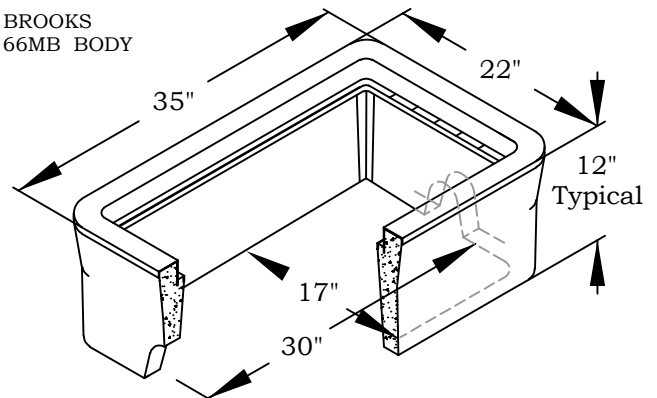
BROOKS 66S  
COVER



BROOKS  
37MB BODY



BROOKS  
66MB BODY



MOUSE HOLE OPENING  
(1 EACH END)

FOR USE WITH 3/4" & 1" WATER METERS

FOR USE WITH 1.5" & 2" WATER METERS

NOT TO SCALE



## WATER METER BOX ASSEMBLY 1" & 2" SERVICE

DATE

REVISION

DATE 02/13/18

DRAWN SLW

APPROVED WSC

SPEC NO. WMB