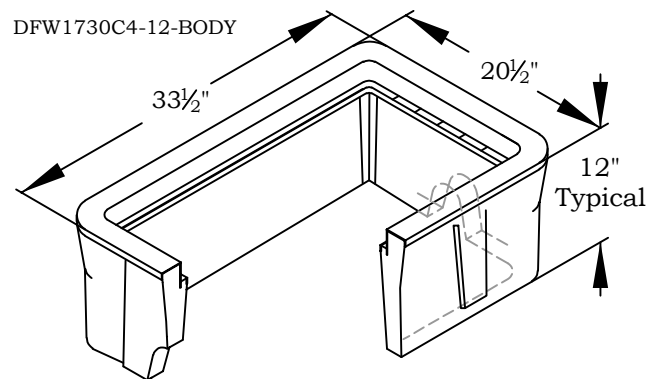
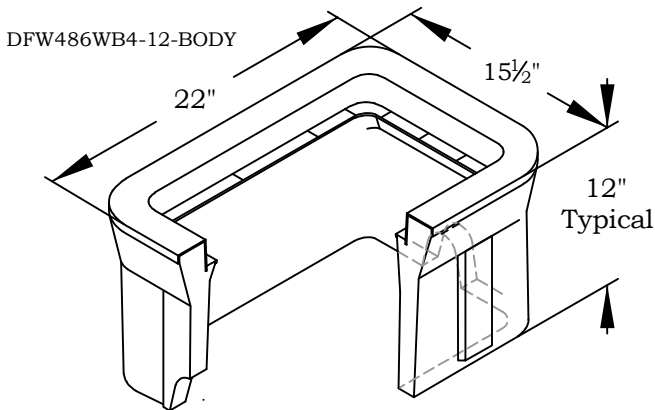
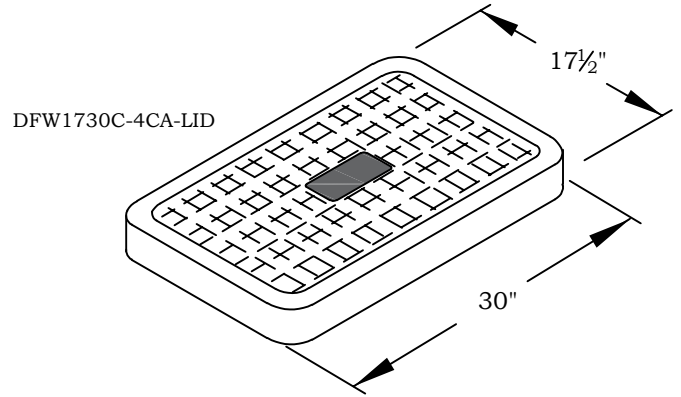
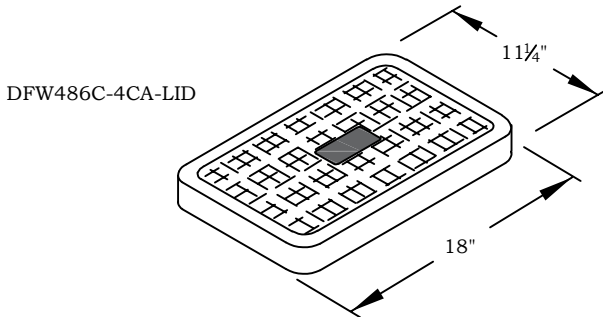


1" METER BOX

2" METER BOX



MOUSE HOLE OPENING
(1 EACH END)

FOR USE WITH 3/4" & 1" WATER METERS

FOR USE WITH 1.5" & 2" WATER METERS

NOT TO SCALE



WATER METER BOX ASSEMBLY 1" & 2" SERVICE TRAFFIC RATED

DATE	REVISION

DATE 03/08/22

DRAWN SLW

APPROVED WSC

SPEC NO. WMB-TR