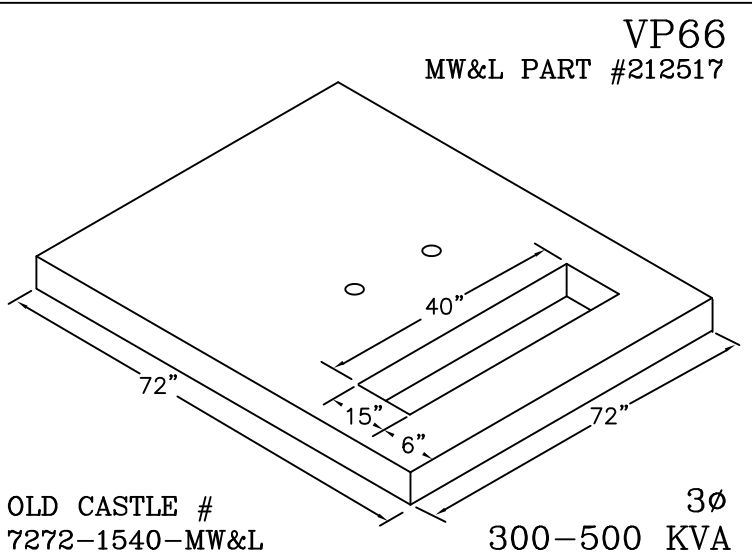
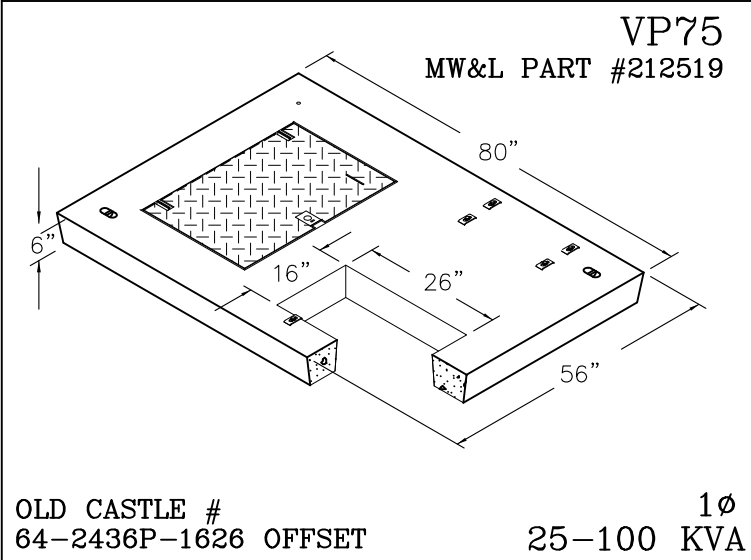


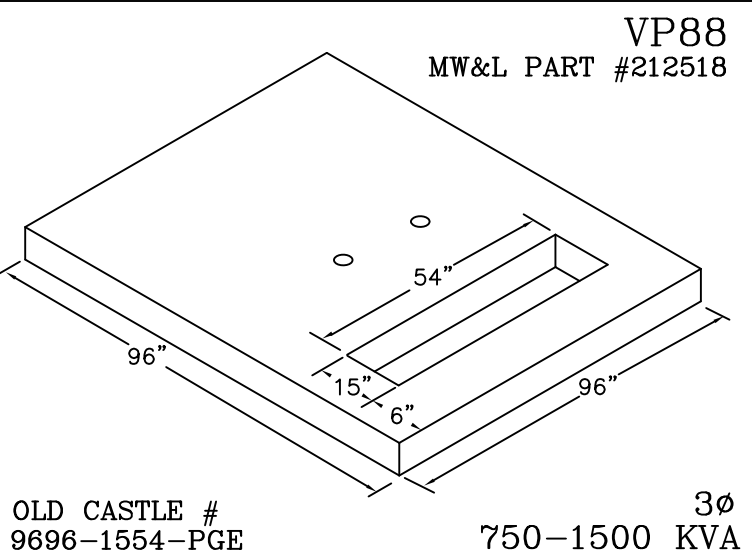
OLD CASTLE #44-2125 1 ϕ 25-100 KVA



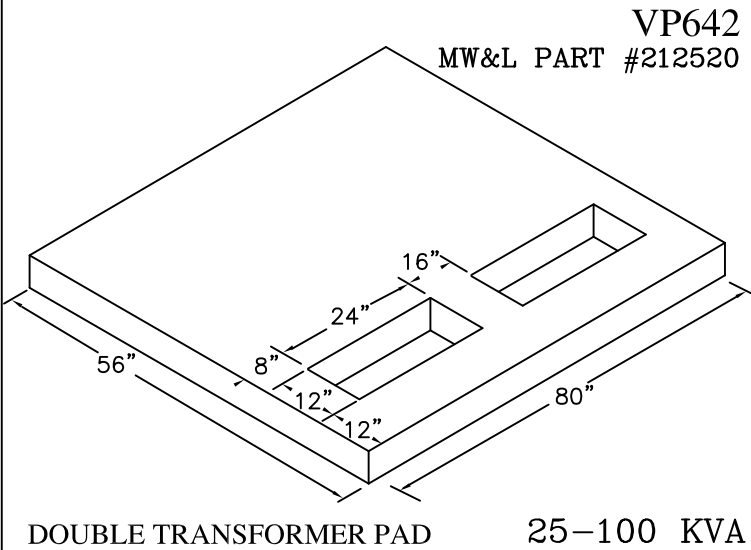
OLD CASTLE # 7272-1540-MW&L 3 ϕ 300-500 KVA



OLD CASTLE # 64-2436P-1626 OFFSET 1 ϕ 25-100 KVA



OLD CASTLE # 9696-1554-PGE 3 ϕ 750-1500 KVA



DOUBLE TRANSFORMER PAD 25-100 KVA



VAULT PADMOUNT TRANSFORMER LIDS

DATE	REVISION	APPROVED	DATE	APPROVED	SPEC NO.
7/13/2012	REVISED TO UPDATE CURRENT STANDARD	JCD	2/10/99	DJE	VTL1