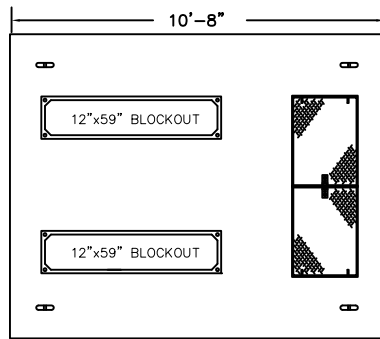
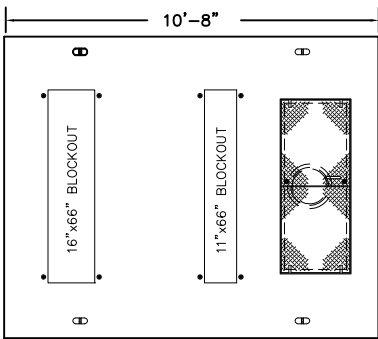


TOP SECTION  
 810-25P W/ 1166 & 1666 BO  
 WT. = 9,970 LBS



UG VAULT LID 810-LA-PPL-25-DUAL  
 WT. = 10,619 LBS

NOT TO SCALE

PART #	EACH	ASSEM. ID	MATERIAL
212510	1	VS810	UG VAULT- OLD CASTLE #810-ML + 810-B
212515	1	VL810SW2	UG VAULT LID- OLD CASTLE #810-25P-1166/1666 BO
212516	1	VL810SW1	UG VAULT LID- OLD CASTLE #810-LA-PPL-25-DUAL



7.2/12.5 KV  
 VAULT, SWITCH  
 8'x10'x8'  
 600 AMP, THREE PHASE

3Ø

DATE	REVISION	APPROVED	DATE	DRAWN	APPROVED	SPEC NO.
7/13/2012	REVISED TO UPDATE CURRENT STANDARD	JCD	06/22/11	OK	JCD	VS810