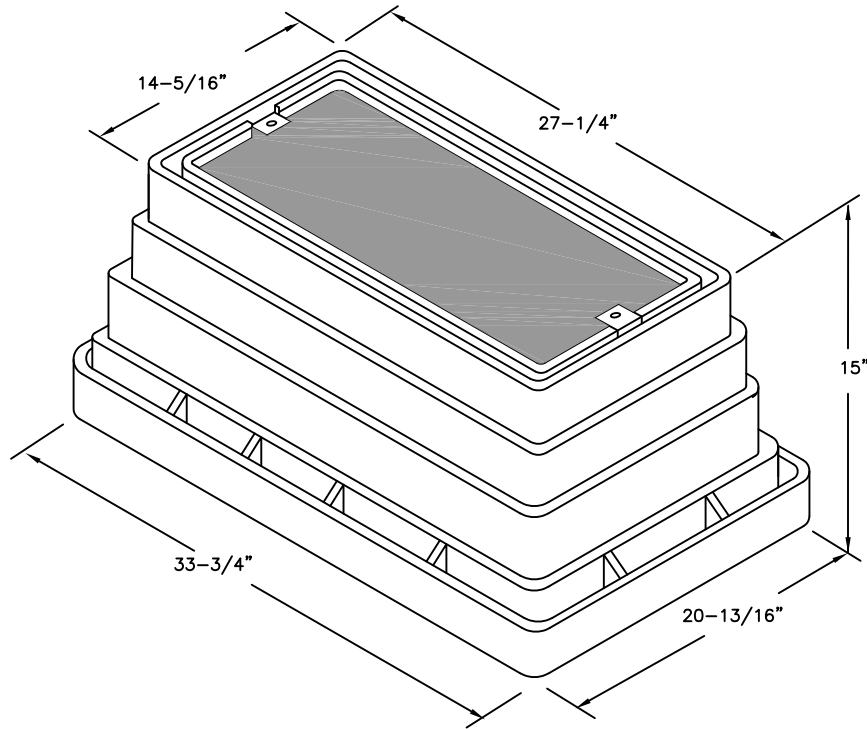


USJBL LID



USJBU
UNIT

PART#	EA	ASSEM. ID	MATERIAL
212301	2	USJBU	JUNCTION BOX UNIT MINUS 1 LID
212302	1	USJBL	JUNCTION BOX LID



SECONDARY
JUNCTION BOX PARTS

DATE	REVISION	APPROVED	DATE	APPROVED	SPEC NO.
7/13/2012	REVISED TO UPDATE CURRENT STANDARD	JCD	2/10/99	DJE	USJB1