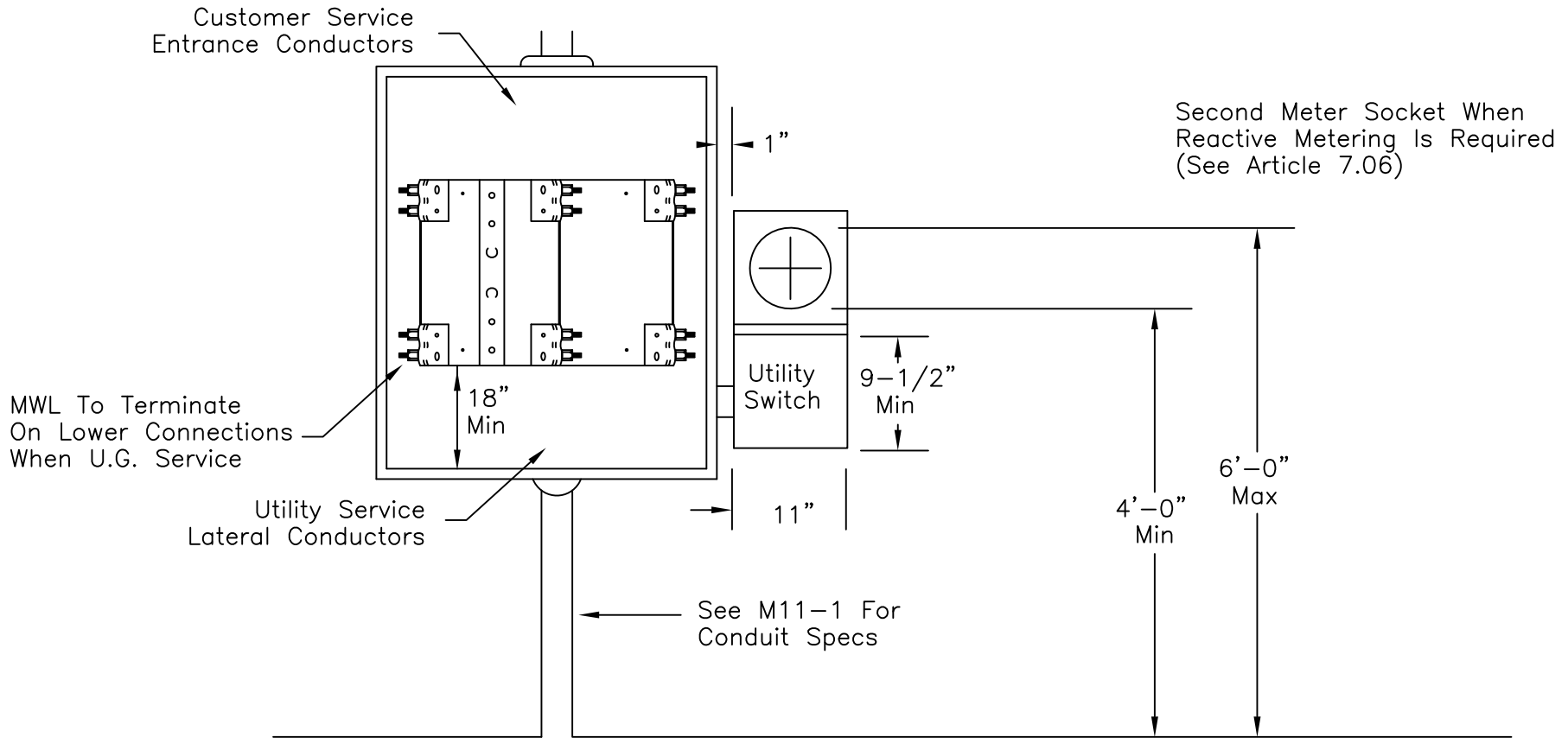


SERVICE BELOW 0-600 VOLTS 0-800 AMPS



SERVICE ENTRANCE AMPACITY	MINIMUM ENCLOSURE SIZE W x H x D
201-800	36" x 48" x 11"

NOTES:

- 1] A current transformer enclosure may be used as a combination current transformer and MW&L underground service terminating pull box. When used in this manner, the MW&L service conduit will enter the center bottom of the enclosure. Customer service entrance conduits shall exit the enclosure on the load side of the current transformers, other customer's conductors will not be permitted in the MW&L terminating and pull space. For all other underground service applications, a separate terminating pull box will be provided for the MW&L service lateral. Consult MW&L for terminating pull box requirements.
- 2] Only conductors associated with metering or grounding shall be permitted in the current transformer enclosure. No connections shall be made in any current transformer enclosure to supply any other meter. Except as required by MW&L, only one load circuit shall be permitted to leave a current transformer enclosure.
- 3] Customer to provide approved connectors for connecting his conductors to the current transformers. Bolts shall be provided with nuts, flat washers and a pressure-maintaining spring washer. All parts must be compatible with the bus bar and connectors with suitable hardware (Everdur or stainless steel).
- 4] MW&L will mount the current transformers when suitable hardware (Everdur or stainless steel) is provided by the customer. Current transformers must be installed so that polarity marks or letters are on the side of the incoming feed or supply.
- 5] Current transformer enclosure covers shall be hinged for side opening with lockable door.
- 6] Metallic conduit for meter leads to be minimum of 1-1/4" and limited to a run of 10' or less with not over 270 degrees in bends. Only MW&L conductors will be permitted in metering conduit.
- 7] When exposed to weather, cabinet shall be raintight.
- 8] Where current transformers or other equipment is installed in location where it might be struck by a motorized vehicle, the customer is to install and maintain MW&L approved barrier posts to protect the equipment.
- 9] For single phase see H27, H27A.
- 10] MW&L will furnish current transformers, the transformer mounting base will have 50K A.I.C. rating .
- 11] Drawing shown with customer provided transformer mounting base installed.



THREE PHASE FOUR WIRE
CURRENT TRANSFORMER
METERING

DATE	REVISION	DATE	APPROVED	DRAWING NO.
	REFERENCE EUSERC 329	2/10/99	DJE	91-18-SR
4/3/95	NOTE 6 - CHNG 50 TO 10			
10/7/96	ADDED 50K TO NOTES			
		DRAWN	JDW	SPEC NO. H28