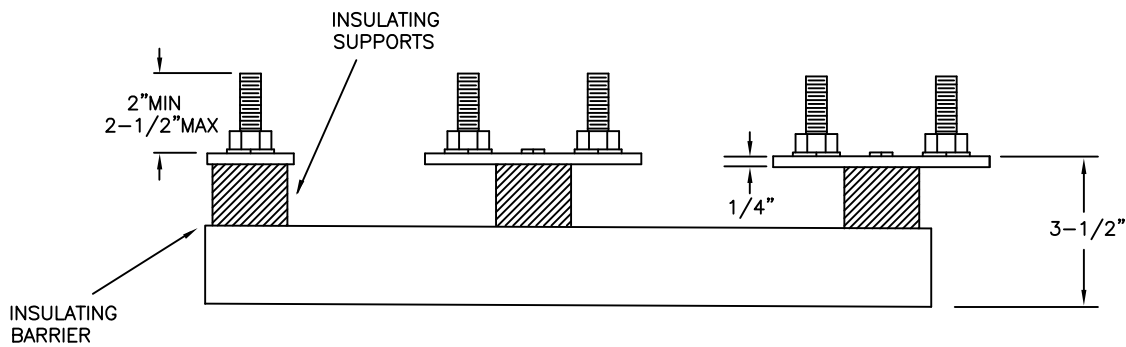
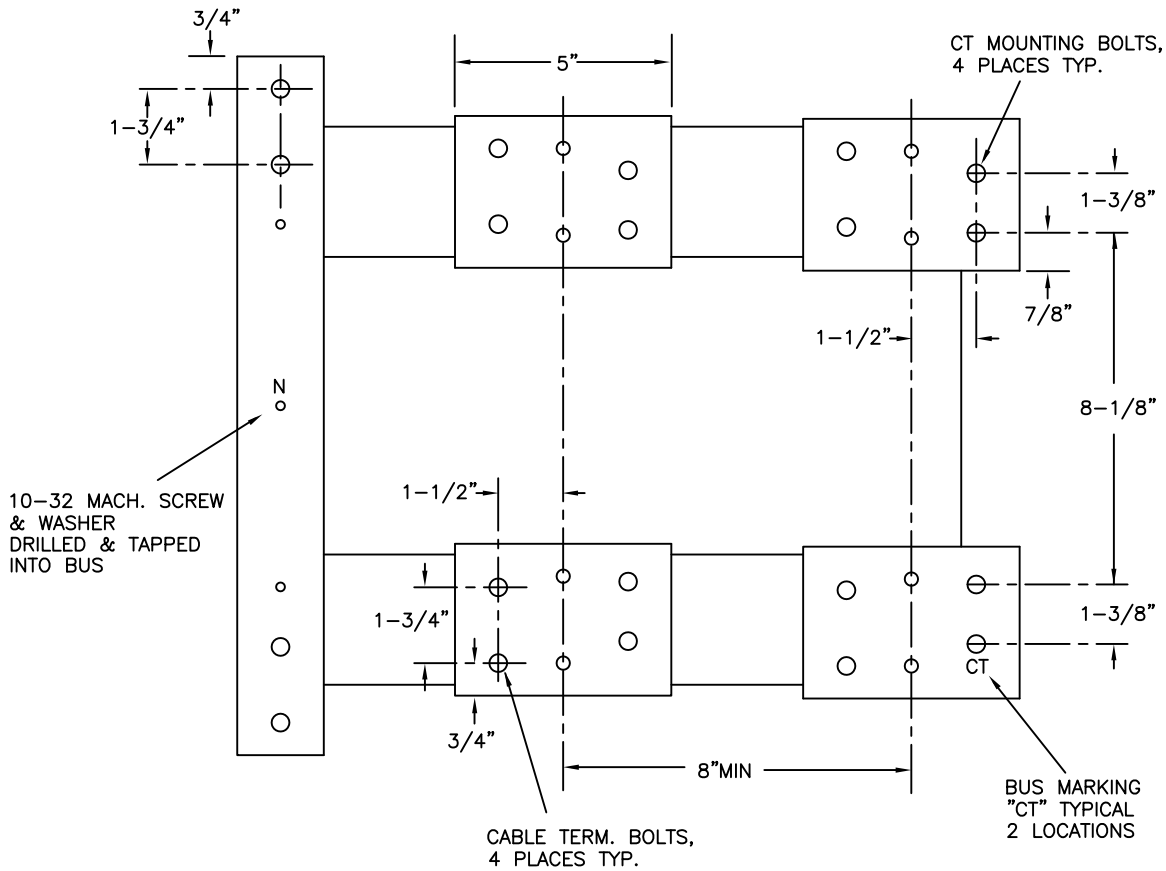


TO 800 AMP 600 VOLT 3 PHASE 3 WIRE or  
SINGLE PHASE 3 WIRE



50K A.I.C. RATING



TRANSFORMER MOUNTING BASE  
FOR INSTALLING IN CURRENT  
TRANSFORMER ENCLOSURE  
SINGLE or THREE PHASE THREE WIRE

DATE	REVISION

DATE	2/10/99	DRAWING NO.	96-05-SR
DRAWN	JDW	APPROVED	DJE
		SPEC NO.	H27-A