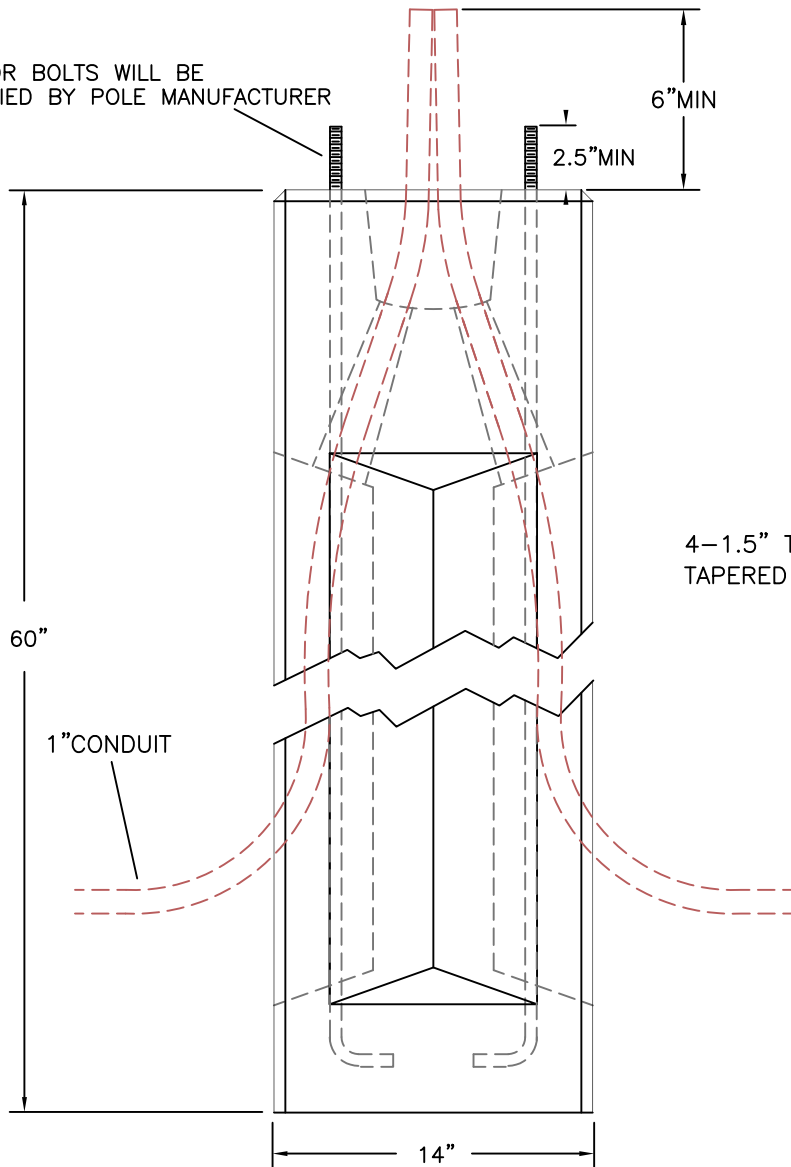


STANDARD BOLT PATTERN

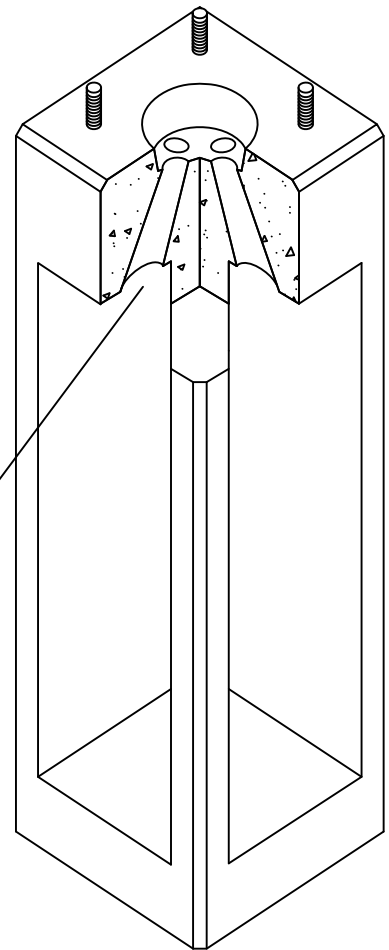
11" DIA

ANCHOR BASE DIAMETER, DEPTH,  
ANCHOR BOLTS, REINFORCEMENT  
PER POLE MANUFACTURER  
SPECIFICATIONS

ANCHOR BOLTS WILL BE  
SUPPLIED BY POLE MANUFACTURER



4-1.5" TO 2.5" DIA  
TAPERED HOLE



ACCEPTABLE PREFAB BASES

25'-UTILITY VAULT  
#5CL-LB or EQUIV.



# STREET LIGHT ANCHOR BASE

DATE	REVISION	APPROVED
6/13/2012	RAISE CONDUIT	
7/13/2012	REVISED TO UPDATE CURRENT STANDARD	JCD

DATE	2/10/99		
DRAWN	JDW	APPROVED	DJE
		SPEC NO.	LTPB