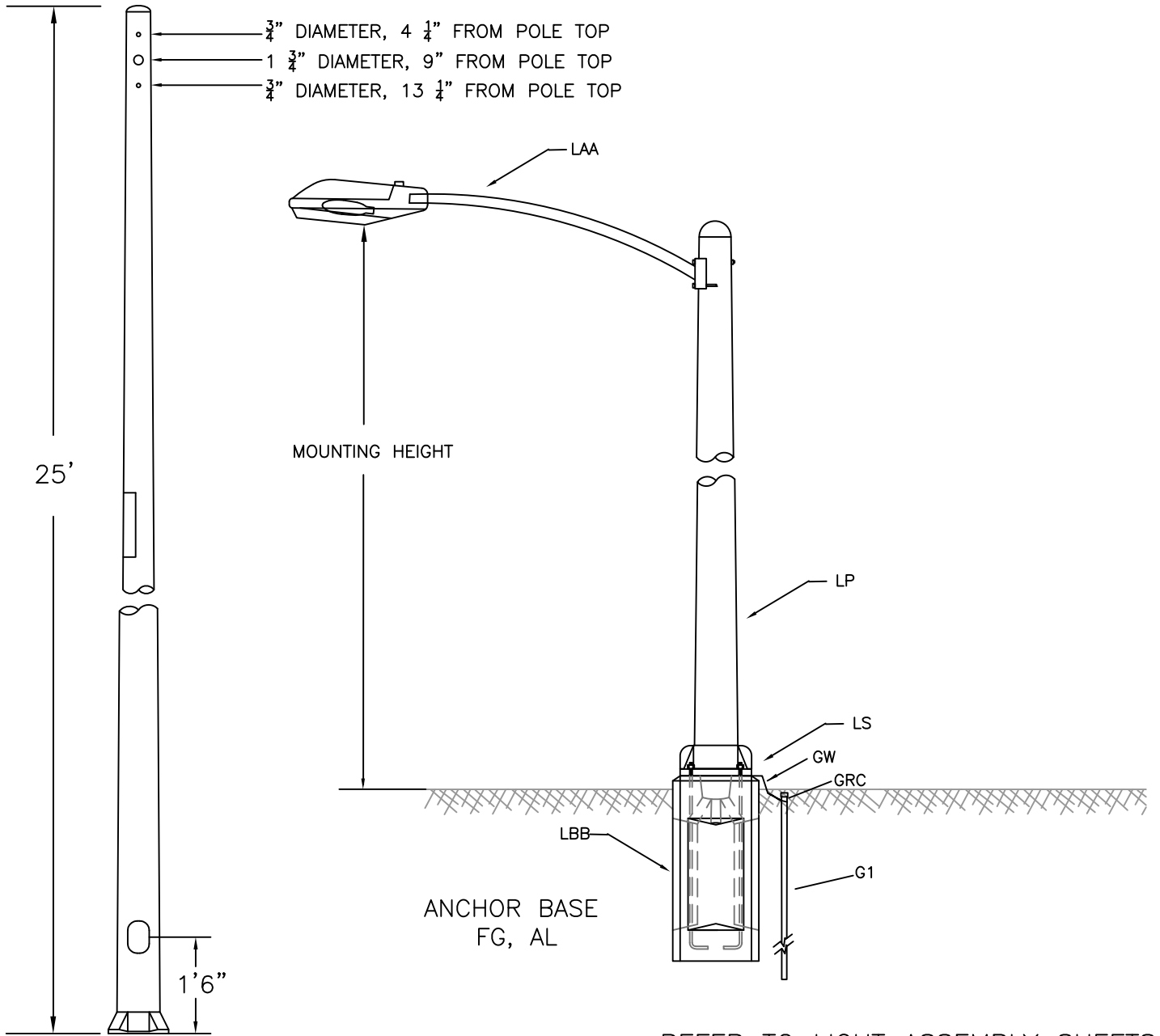


**MOUNTING HEIGHT**

- L5 100W HPS – 25’ MIN., 27’ MAX. – RESIDENTIAL
- L6 200W HPS – 30’ MIN., 32’ MAX. – MAIN ARTERIALS
- L3 250W HPS – 30’ MIN., 325’ MAX. – MAIN ARTERIALS
- L4 400W HPS – 35’ MIN., 37’ MAX. – SPECIAL APPLICATIONS  
REQUIRE CITY APPROVAL

**ARM LENGTH—**

DETERMINED BY MW&L ENGINEER  
VARIES DEPENDING ON SETBACK FROM STREET



AL. POLE

REFER TO LIGHT ASSEMBLY SHEETS



**LIGHT INSTALLATION  
LUMINAIRE  
ASSEMBLY**

DATE	REVISION	APPROVED
6/13/2012	RMV DIRECT BURY, ADD GRND ASSEM	JCD
7/13/2012	REVISED TO UPDATE CURRENT	JCD
	STANDARD	

DATE	2/10/99		
DRAWN	JDW	APPROVED	DJE
		SPEC NO.	L3,L4,L5,L6