

FIGURE 6-1

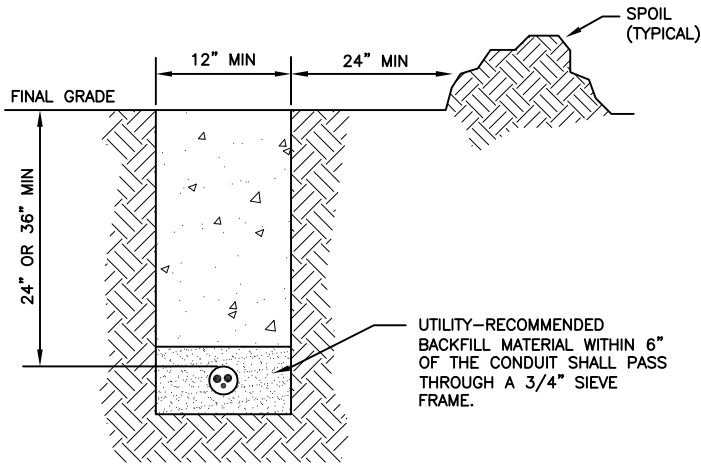


FIGURE 6-2

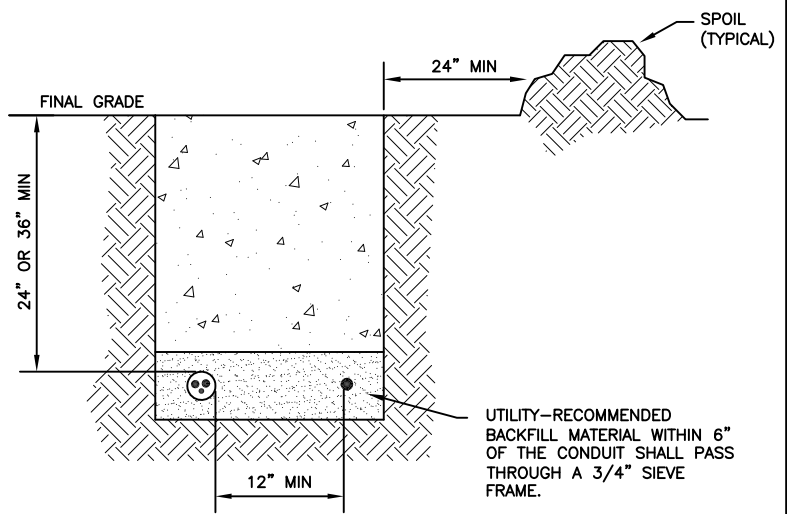
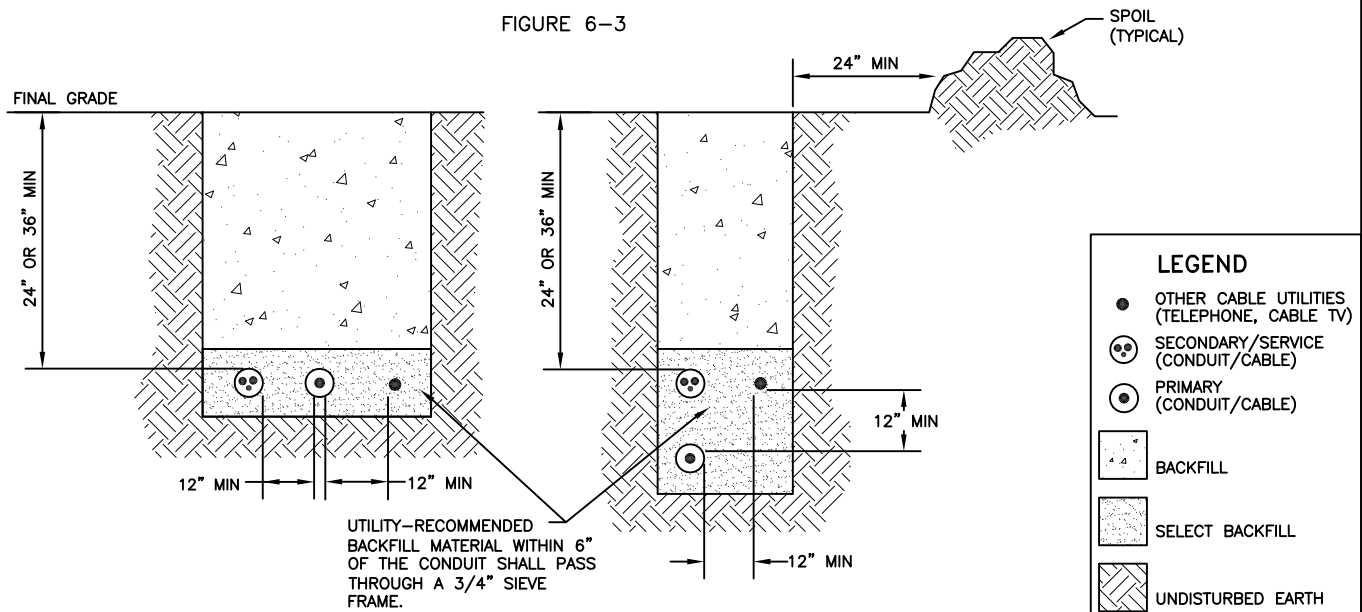


FIGURE 6-3



LEGEND

- OTHER CABLE UTILITIES (TELEPHONE, CABLE TV)
- ⊙ SECONDARY/SERVICE (CONDUIT/CABLE)
- ⊙ PRIMARY (CONDUIT/CABLE)
- BACKFILL
- ▨ SELECT BACKFILL
- ▩ UNDISTURBED EARTH

CONDUIT/CABLE	MINIMUM COVER	MIN TRENCH DEPTH	MAX BURIAL DEPTH
PRIMARY	36"	42"	48"
SECONDARY/SERVICE	24"	30"	48"

NOTES (FIGURES 6-1, 6-2 & 6-3):

- A. WHERE ON-SITE BACKFILL CONTAINS ROCKS LARGER THAN 4" AND/OR FRACTURED ROCK (WITH SHARP CORNERS), SELECT BACKFILL SHALL BE USED. SELECT BACKFILL SHALL BE PLACED A MINIMUM OF 4" BELOW AND 6" ABOVE THE CENTERLINE OF THE CONDUIT/CABLE CONFIGURATION, AS SHOWN. SELECT BACKFILL MATERIAL SHALL PASS THROUGH A 3/4" SIEVE AND CONTAIN NO SHARP OR FOREIGN OBJECTS. BACKFILL IN THE REMAINDER OF THE TRENCH SHALL BE FREE OF ROCKS LARGER THAN 4" IN DIAMETER.
- B. THE CUSTOMER IS RESPONSIBLE FOR BACKFILLING TRENCHES AND SITE RESTORATION.
- C. DEPTHS ARE MIN DEPTH; DEEPER TRENCHES SHALL BE REQUIRED BY DESIGNERS FOR ROCKY & DEBRIS AREAS SINCE SAND CUSHION WILL BE NEEDED UNDER CONDUCTORS.
- D. WATER LINES ON PRIVATE PROPERTY ONLY, ARE ALLOWED IN TRENCHES ADJACENT TO MW&L APPROVED CONDUIT. IF MW&L IS NOT IN CONDUIT, CUSTOMER'S WATER LINE SHALL HAVE A MINIMUM OF ONE FOOT VERTICAL AND ONE FOOT HORIZONTAL CLEARANCE FROM MW&L CONDUCTORS.



TRENCH & CONDUIT INSTALLATION

DATE	REVISION	APPROVED	DATE	FIGURE NO.
7/13/2012	REVISED TO UPDATE CURRENT STANDARD	JCD	12/07/07	6-1,6-2,6-3
			DRAWN MBS	APPROVED JCD
				SPEC NO. UCT