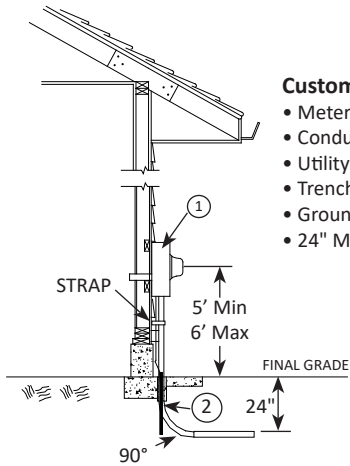
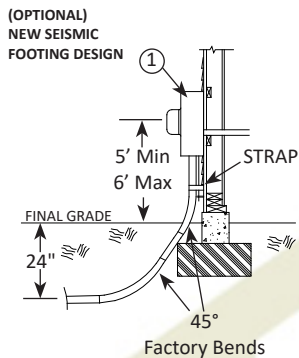


Underground Service Meter Base Mounting Options

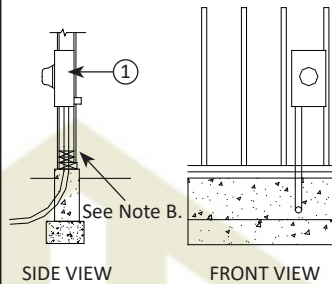


Customer Shall Furnish & Install:

- Meter socket enclosure (Underground Type)
- Conduit 3" Schedule 40 PVC
- Utility easement when required
- Trench excavation and backfill
- Grounding per NEC
- 24" Minimum radius sweep



FLUSH MOUNT



1. Meter base and conduit must be securely attached to the structure. Meter socket and conduit must be plumb when inspected. MW&L will determine the exact location for the meter. 2" x 4" back supports are required.

2. Ground in accordance with the currently adopted issue of NEC (Article 250 Grounding).

NOTES:

A. No bends will be allowed in the conduit riser between the meter base and the underground sweep. If local codes do not allow conduit in the foundation and/or footings, a surface mounted meter must be installed.

B. For brick veneer or concrete block, use 1/4" x 3 1/4" lead sleeve expansion bolt in joint, in place of lag screws on anchor straps.

C. The service entrance riser must be in line with left side of entrance knock-out.

Revision 1/25/11

New Water Service

MW&L provides service within the McMinnville City Limits

- **Water Meter Size:** The City of McMinnville determines the estimated water demand. MW&L will size the meter accordingly.
- **Pre-Paid Water Meters:** Water meters in some subdivisions have been pre-paid. Contact MW&L for details.
- **Upgrading Pre-Paid Water Meters:** Costs are associated with water meter upgrades. Please contact MW&L to determine costs.
- **Non Pre-Paid Water Services/Meters:** Contact MW&L to determine service location and costs for installation.
- **Pressure Reducer Valve (PRV):** All homes in the City of McMinnville below 188' of elevation are required to have a PRV. This helps to regulate the proper amount of water pressure entering your home. PRV's are customer owned and maintained. Please contact the City of McMinnville for permit and inspection requirements.
- **Backflow:** All irrigation and some domestic services require backflow protection. Contact MW&L to find out what type of backflow assembly your service will need. Contact the City of McMinnville Building Department for permits and inspection requirements.

Please note:

- Backflow assemblies must be tested at time of installation.
- Annual testing is required on backflow assemblies.
- For additional requirements, please contact MW&L.

CUSTOMER IS RESPONSIBLE FOR ALL PLUMBING PAST THE METER

McMinnville Water & Light

855 NE Marsh Lane • PO Box 638
McMinnville, OR 97128
Monday - Friday
Office: 8:00 am - 5:00 pm
Crews: 8:00 am - 4:30 pm

Phone: (503) 472-6919
Fax: (503) 472-5211
Web-site: www.mc-power.com

McMinnville Water & Light

New Construction Residential



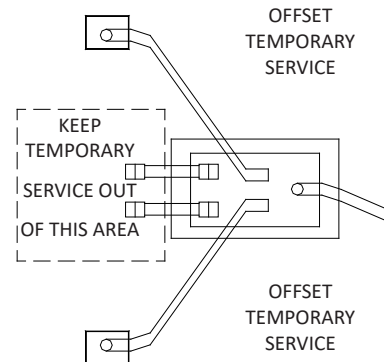
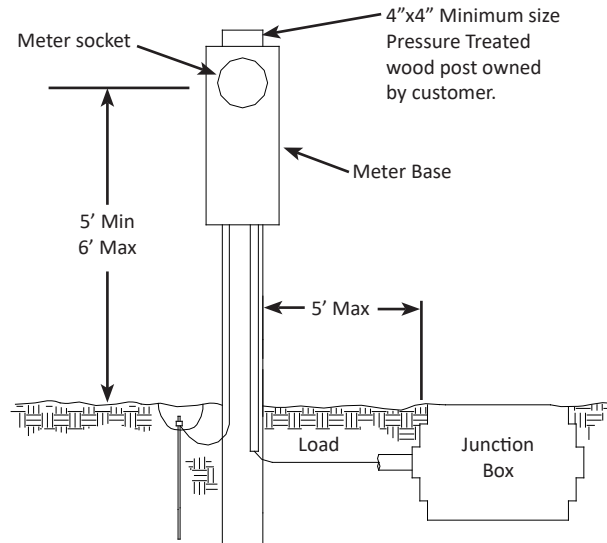
Engineering Department
503-472-6919

10 Things You Need to Know Prior to Receiving Service

The following information applies to all specifications included in this brochure. All items must be completed prior to McMinnville Water & Light energizing your service.

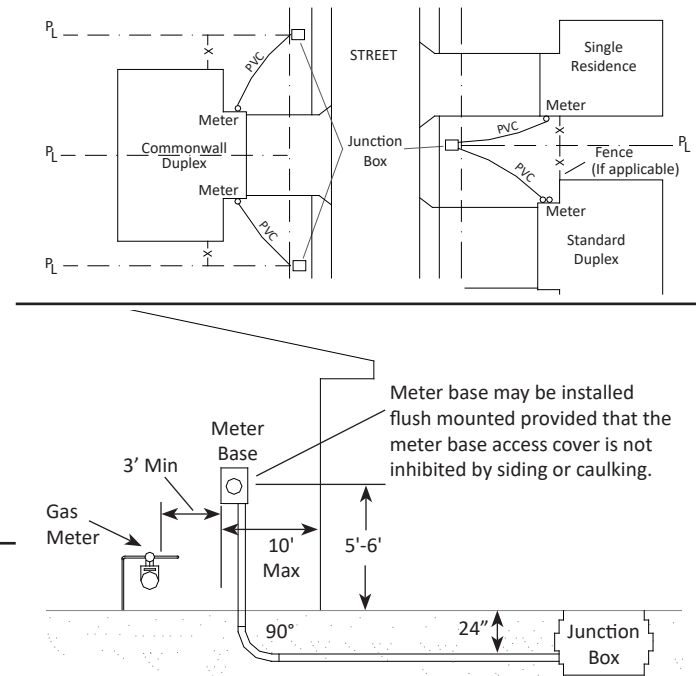
1. **Fill out** the MW&L New Construction Residential Service application.
2. **Pay \$100 Design Fee** for each request if applicable. This will be credited to your account if you proceed with construction within 12 months.
3. **Contact** MW&L's Field Engineer to schedule an on-site meeting.
4. **Call** the Oregon Utility Notification Center before you dig at 1-800-332-2344 or dial "811". Mark with white paint where you want to dig. You must call two working days prior to digging.
5. **Contact** your electrician to setup temporary service and schedule inspections with the following governmental agency:
 - Obtain an electrical permit and inspection for service from Yamhill County by calling 503-434-7516. An approved inspection sticker must be displayed on meter base prior to energizing service.
6. **Temporary** services are performed Monday-Friday during normal business hours. Please allow 48 hours prior to connection.
7. **Conduit Inspections** must be completed and approved by MW&L prior to backfill. 24 hour notice is required. Please call 503-472-6919.
8. **Permanent** services are performed on Thursdays and must be scheduled at least 24 hours prior.
9. **Manufactured Homes**, please contact the City of McMinnville and Yamhill County for permits and inspections.
 - It is the customer's responsibility to contact MW&L to schedule installation of services after the City of McMinnville and Yamhill County inspections have been completed.
10. **Overhead** Temporary and Permanent services will be allowed only where underground services are not technically feasible. Contact MW&L's Engineering Department with questions.

Temporary Electric Service Post-Mounted



- Contact MW&L before installing meter equipment to determine service location & National Electric Safety Code (NEC) requirements.
- Per National Electric Code (NEC), customer shall furnish and install meter base, and a minimum 10' of conductor extending from the meter base.
- Meter base height shall be 5'-6' above grade to center of meter socket.
- MW&L will terminate the customer supplied conductor in the junction box (j-box).
- Yamhill County approved inspection sticker shall be displayed on meter base prior to energizing service.

Underground Residential Service to Junction Box



1. Consult MW&L before installing meter equipment to determine: service location, source of electric service, easement requirements and NESC clearances.
2. Customer is responsible to furnish and install: meter base, conduit, elbows, trenching and backfill from meter base to the source of electric service (typically a PVC stub located at rear of junction box). Customer is to ensure that conduit remains unobstructed.
3. MW&L shall inspect conduit installation prior to backfill. A 24 hour notice is required. Please call 503-472-6919.
4. Acceptable meter bases are manufactured in accordance with EUSERC requirements. Meter base height shall be 5'-6' finished grade to center of meter socket. Electric meter shall be located within 10' of the front corner of the garage wall. A typical service will not exceed 150' from source of electric service to the meter base.
5. **Conduit:** 3" electrical-grade Schedule 40 gray PVC. **Depth of Bury:** Minimum of 24" below finished grade to top of conduit. **Elbows:** 24" radius PVC. **Degrees of Bend:** 270° maximum.
6. Joint Trench: MW&L requires a minimum of 12" of separation from other utilities.
7. Access to meter base must be maintained.