

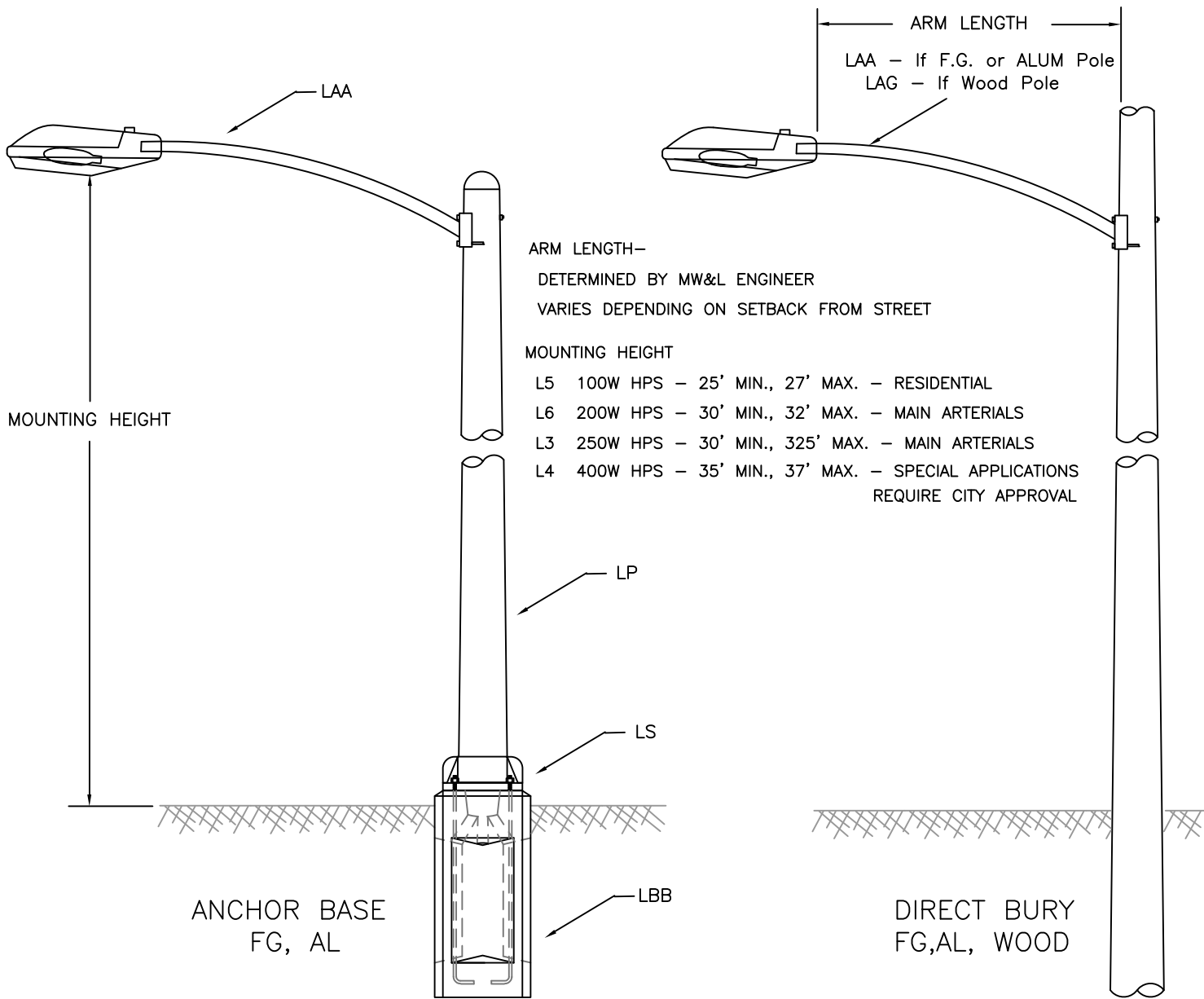
ASSEM. ID	EACH	PART #	MATERIAL	DTL DWG
GW4	30'		GROUND WIRE, #4 CU 2ACSR or LESS	G1H
GW2	30'		GROUND WIRE, #2 STRAND CU, 336 & 556	G1H
GR	1	112201	GROUND ROD 8' ANODIZED	G1H
GRC	1	110502	GROUND ROD CLAMP	G1H



7.2/12.5 KV
GROUNDING ROD
ASSEMBLY

DATE	REVISION	DATE	APPROVED	DRAWING NO.
1/19/07	ADDED DTL DWG NOTES - MEV	2/10/99	DJE	6014-1000

DRAWN	JDW	APPROVED	DJE	SPEC NO.	G1
-------	-----	----------	-----	----------	----

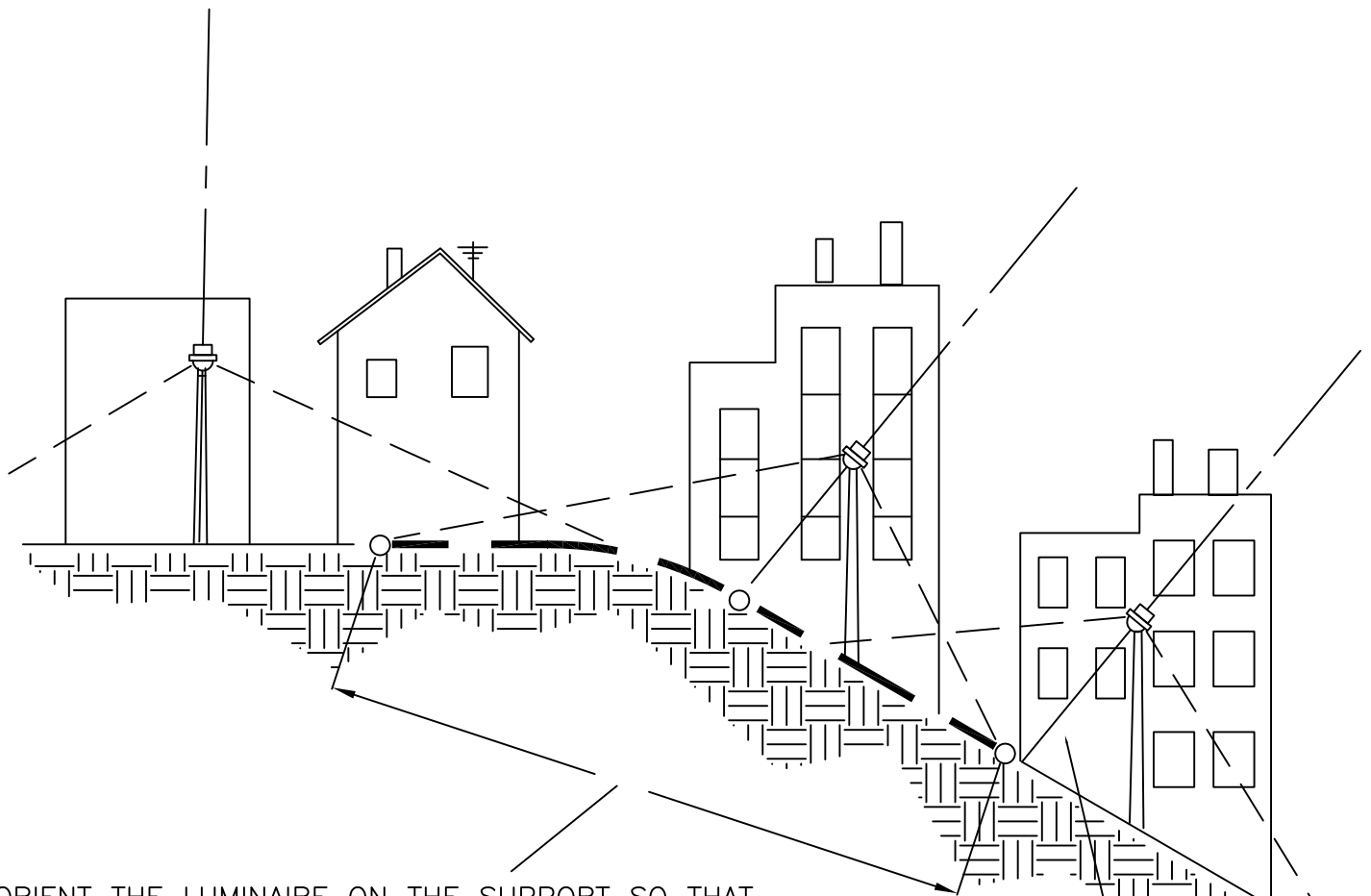


REFER TO LIGHT ASSEMBLY SHEETS



LIGHT INSTALLATION LUMINAIRE ASSEMBLY

DATE	REVISION			DATE	2/10/99	DRAWING NO.	6060-2000
		DRAWN	JDW	APPROVED	DJE	SPEC NO.	L3,L4,L5,L6



ORIENT THE LUMINAIRE ON THE SUPPORT SO THAT THE LIGHT BEAMS STRIKE THE PAVEMENT EQUI-DISTANT FROM THE LUMINAIRE. THIS ASSURES MAXIMUM UNIFORMITY OF LIGHT DISTRIBUTION AND KEEPS GLARE TO A MINIMUM. SEE ANSI/IES RP-8 PG. 19 FIG. A-38.

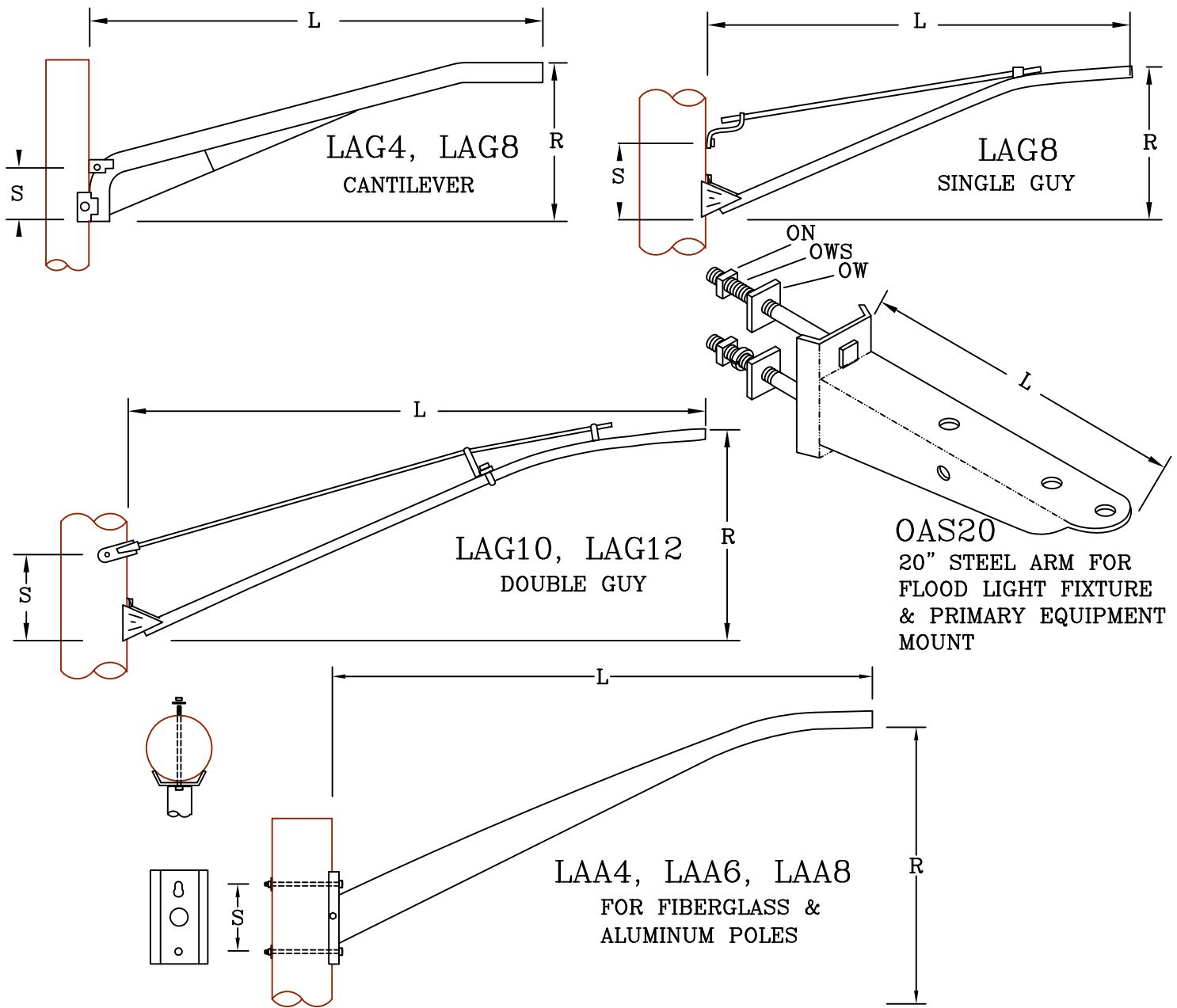
ALIGN THE AXIS OF THE LUMINAIRE PERPENDICULAR TO THE PAVEMENT.

REFERENCE: AMERICAN STANDARD PRACTICE FOR ROADWAY LIGHTING. (7/8/77)



LUMINAIRE ALIGNMENT

DATE	REVISION			DRAWING NO. 93-66-SR
		DATE	2/10/99	
		DRAWN	JDW	APPROVED DJE
				SPEC NO. LA

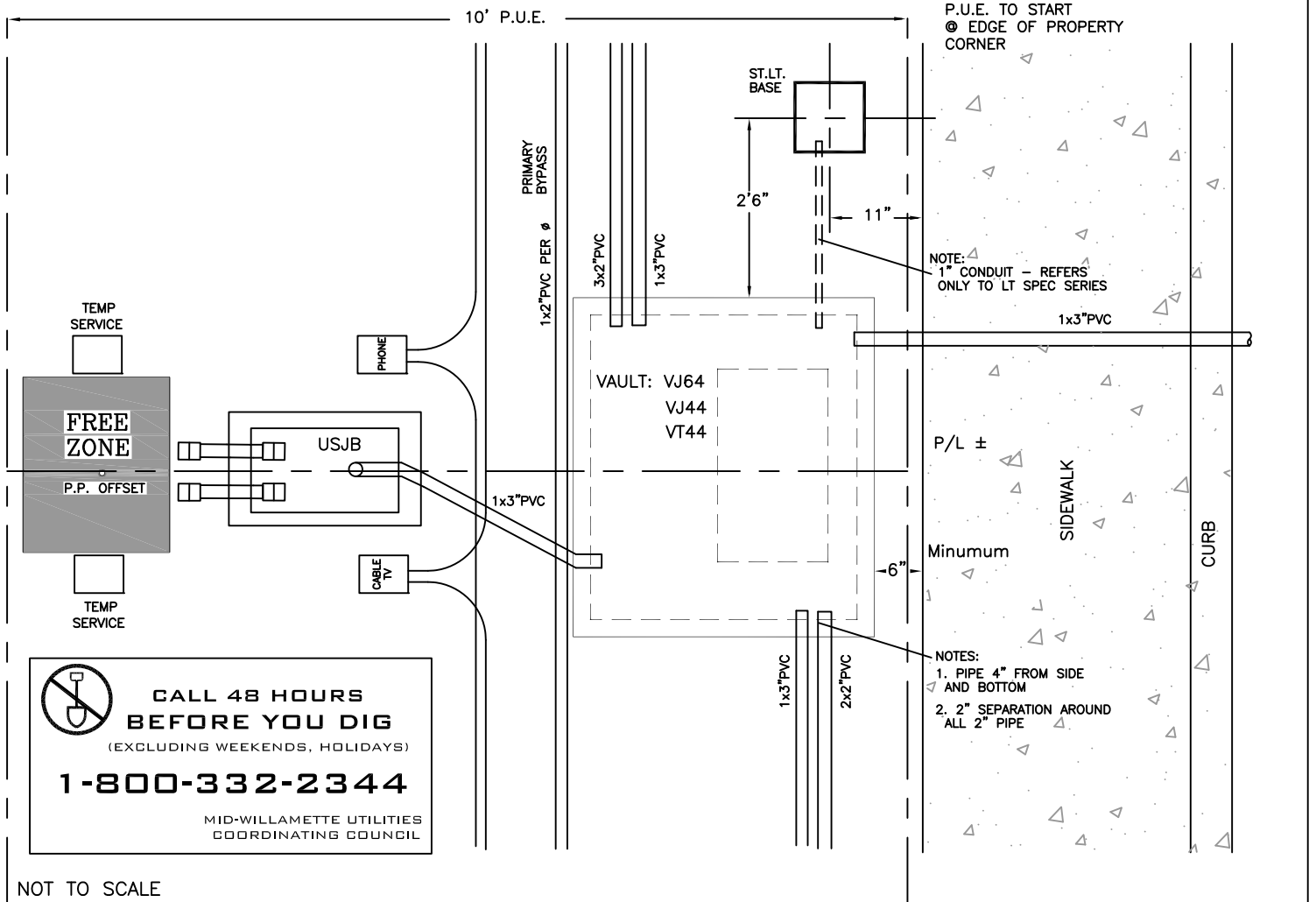
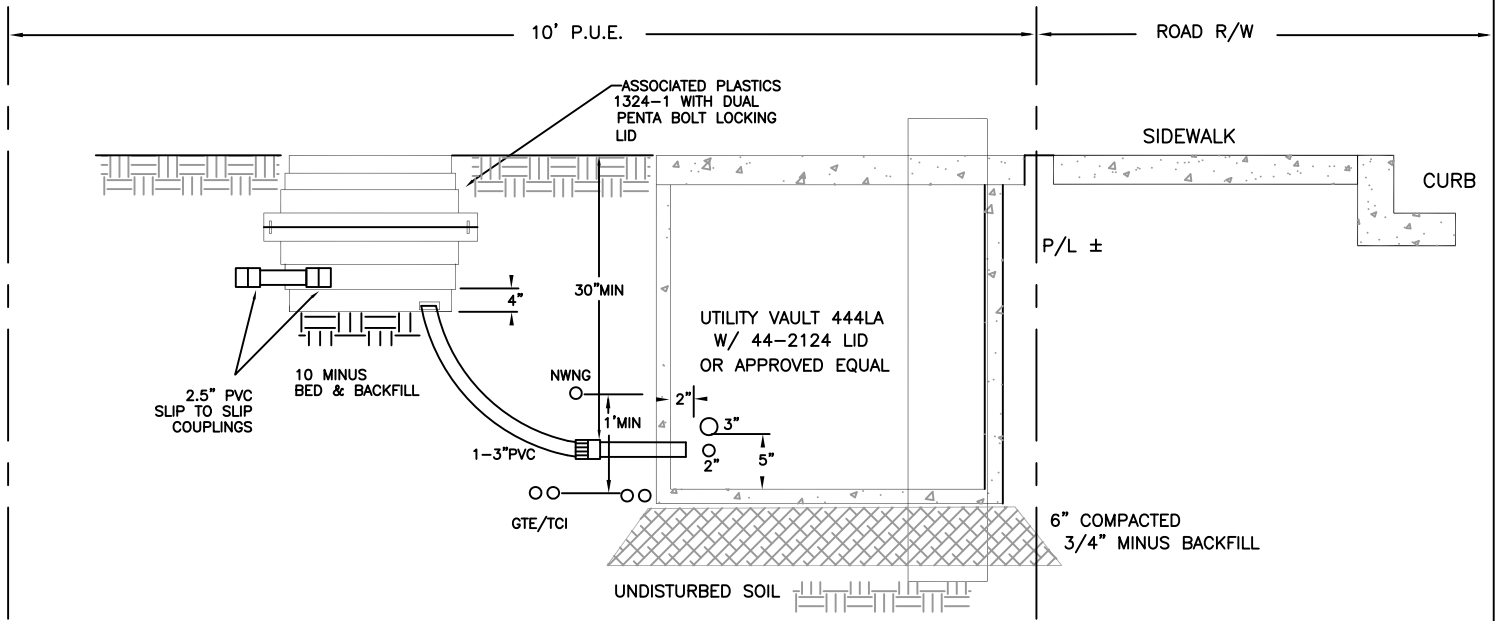


ASSEM ID	PART #	MATERIAL	NOMINAL LENGTH "L"	RISE "R"	POLE SPACE "S"
LAA4	212701	LIGHT ARM ALUMINUM MAST 4'	4'		
LAA6	212702	LIGHT ARM ALUMINUM MAST 6'	6'		
LAA8	212703	LIGHT ARM ALUMINUM MAST 8'	8'		
LAG4	113101	LIGHT ARM GALVANIZED MAST 4'	4'	12"	
LAG8	113102	LIGHT ARM GALVANIZED MAST 8'	8'	30"	14"
LAG10	113103	LIGHT ARM GALVANIZED MAST 10'	10'	38"	14"
LAG12	113104	LIGHT ARM GALVANIZED MAST 12'	12'	46"	14"
OAS20	110202	20" STEEL ARM	20"		



STREET LIGHT ARMS

DATE	REVISION		
DATE	6/20/98	DRAWING NO.	
DRAWN	JDW	APPROVED	DJE
		SPEC NO.	LTAA,LTAG



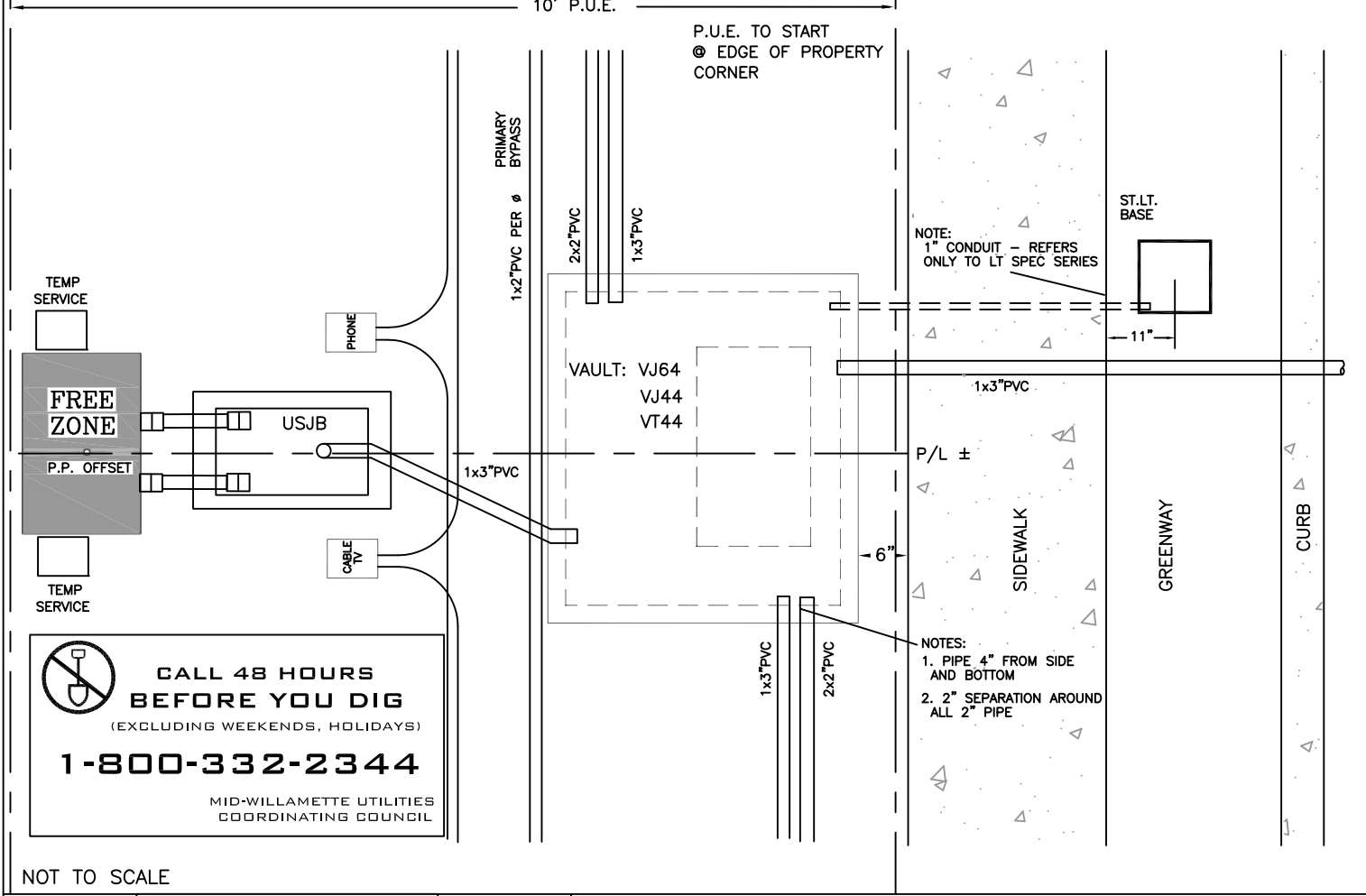
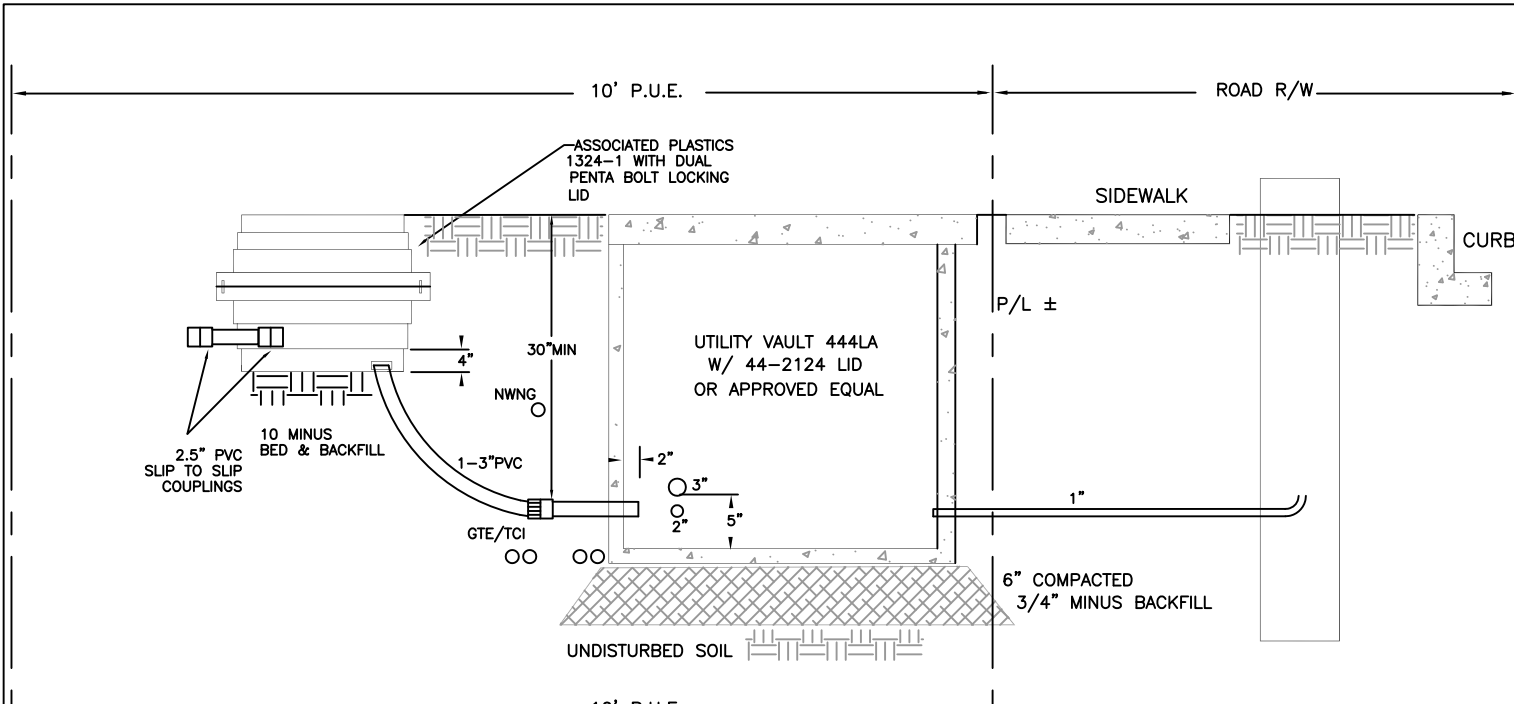

CALL 48 HOURS BEFORE YOU DIG
 (EXCLUDING WEEKENDS, HOLIDAYS)
1-800-332-2344
 MID-WILLAMETTE UTILITIES COORDINATING COUNCIL

NOT TO SCALE



TRANSFORMER VAULT AND STREET LIGHT BASE INSTALLATION "CURB SIDE SIDEWALK"

DATE	REVISION	DATE	DRAWN	APPROVED	DRAWING NO.
6/1/94	ADDED 1" CONDUIT FOR UT SERIES	2/10/99	JDW	DJE	94-32-SR
10/27/97	REDESIGNED LAYOUT & CONDUIT				
4/24/07	CHANGED UTILITY NAMES, PVC QUANTITIES				
	ADDED NEW LOGO - MEV				
					SPEC NO. VIC




CALL 48 HOURS BEFORE YOU DIG
 (EXCLUDING WEEKENDS, HOLIDAYS)
1-800-332-2344
 MID-WILLAMETTE UTILITIES COORDINATING COUNCIL

NOT TO SCALE



TRANSFORMER VAULT AND STREET LIGHT BASE INSTALLATION "GREENWAY SIDEWALK"

DATE	REVISION	DATE	DRAWN	APPROVED	DRAWING NO.
6/1/94	ADDED 1" CONDUIT FOR UT SERIES	2/10/99	JDW	DJE	94-33-SR
10/27/97	REDESIGNED LAYOUT & CONDUIT				
4/24/07	CHANGED UTILITY NAMES, PVC QUANTITIES & ADDED NEW LOGO - MEV				
					SPEC NO. VIG